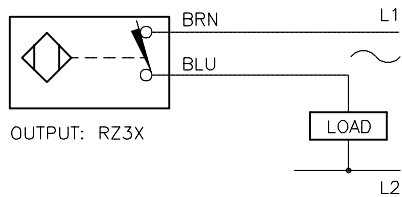
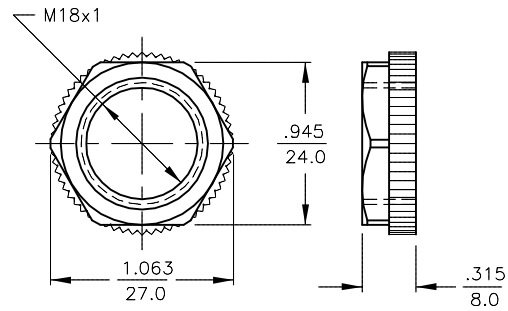


WIRING DIAGRAM



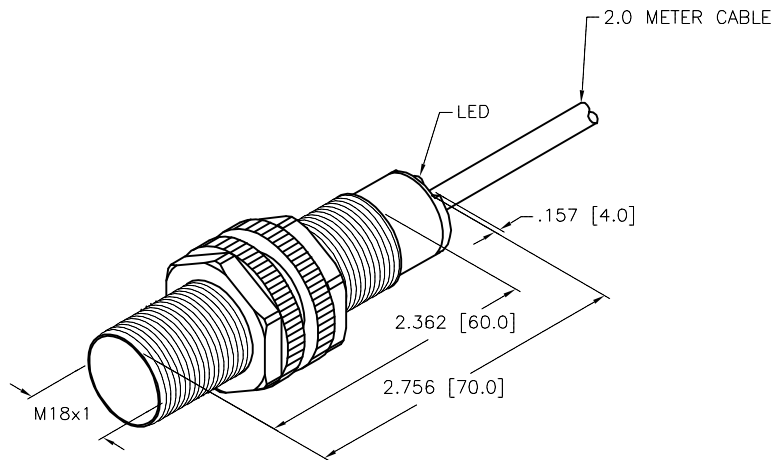
WARNING: NO SHORT-CIRCUIT PROTECTION
ALWAYS WIRE A LOAD IN SERIES WITH THE SENSOR.

LOCKNUT LN-P18


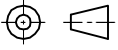


SPECIFICATIONS

RATED OPERATING DISTANCE	8mm = .315"
MOUNTING MODE	NON-FLUSH
HYSTERESIS	3-15%
REPEATABILITY	≤ 2%
TEMPERATURE DRIFT	≤ ±10%
OPERATING TEMPERATURE	-25°C to +70°C (-13°F to +158°F)
RATED OPERATING VOLTAGE	20-250 VAC/10-300 VDC
RATED OPERATIONAL CURRENT	≤ 400 mA AC/≤ 300 mA DC
FREQUENCY	50-60 Hz
RESIDUAL CURRENT	≤ 1.7 mA
RATED INSULATION VOLTAGE	≤ 1.5 kV
SURGE CURRENT	≤ 8.0 A (≤ 10ms MAX. 5Hz)
MAX. VOLTAGE DROP	≤ 6.0 V
OUTPUT FUNCTION	2-WIRE, NORMALLY CLOSED
SMALLEST OPERATING CURRENT	≥ 3.0 mA
MAX. SWITCHING FREQUENCY	≤ 0.02 kHz
HOUSING MATERIAL	PLASTIC, PA12-GF30
ACTIVE FACE MATERIAL	PLASTIC, PA12-GF30
END CAP MATERIAL	PLASTIC, EPTR
CABLE	ø5.2, PVC
VIBRATION RESISTANCE	55 Hz, 1 mm AMPLITUDE (IN ALL 3 PLANES)
SHOCK RESISTANCE	30 x g (11 ms)
DEGREE OF PROTECTION	IP67
SWITCHING STATUS INDICATION	LED, RED



SOURCE DRAWING - FOR REFERENCE ONLY

RELATED DOCUMENTS		3RD ANGLE PROJECTION		THIS DRAWING IS CONFIDENTIAL AND THE PROPERTY OF TURCK INC. USE OF THIS DOCUMENT WITHOUT WRITTEN PERMISSION IS PROHIBITED.		 3000 CAMPUS DRIVE MINNEAPOLIS, MN 55441 1-800-544-7769 (763) 553-7300 (763) 553-0708 fax www.turck.us	
1. 2. 3. 4.				DRFT	GMB	DATE	09/09/88
MATERIAL		ALL DIMENSIONS DISPLAYED ON THIS DRAWING ARE FOR REFERENCE ONLY		APVD		SCALE	1=1.3
SEE SPECS		CONTACT TURCK FOR MORE INFORMATION		UNIT OF MEASUREMENT		DESCRIPTION	
FINISH				INCH [MILLIMETER]		N18-S18-RZ3X 60MM	
SEE SPECS				DO NOT SCALE THIS DRAWING		IDENTIFICATION NO.	REV
D UPDATE DESCRIPTION		RDS	11/25/19	500000000668		4350799	D
REV DESCRIPTION		BY	DATE	ECO NO.		FILE: 4350799	SHEET 1 OF 1